

# RPS COOLING INFORMS

Mantova (Italy), January the 2<sup>nd</sup> 2016

## NEW “CUBE 2” WATER (OR OIL) CHILLERS

**RPS Cooling** would like to show the new chiller design of his family size “CUBE 2”.

This size includes the following models:

**CA006 3.320 W**

**CA007 3.600 W**

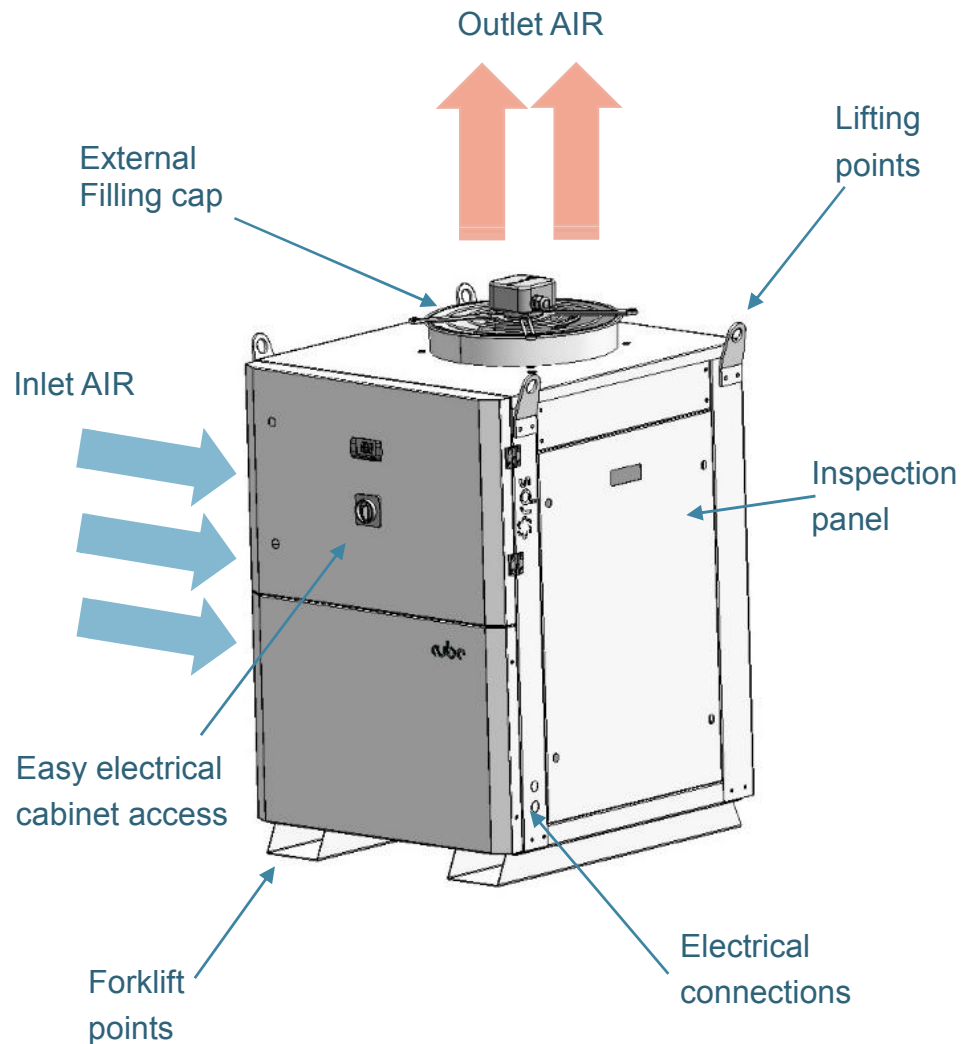
**CA008 5.400 W**

**CA009 6.600 W**

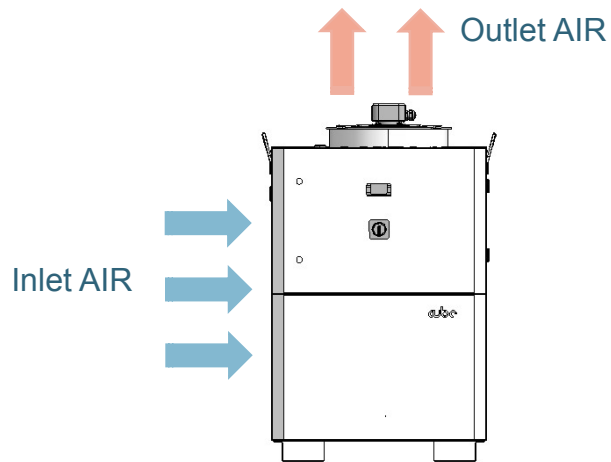
**CA010 8.200 W**

Compare to the previous version you can see a different inlet and outlet air flow direction (later air inlet flow and top outlet air flow). The new design has developed the chiller taller with reduced footprint.

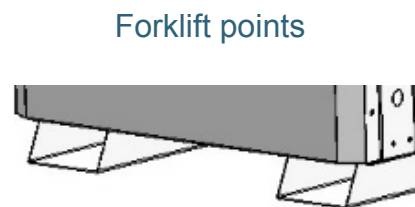
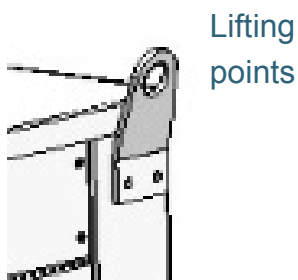
Easy access to the Electrical board and easy service access to the lateral panel, through which you can easily inspect the tank and pump. More easy to handle the unit on top by the lifting points or in the front or rear by forklift.



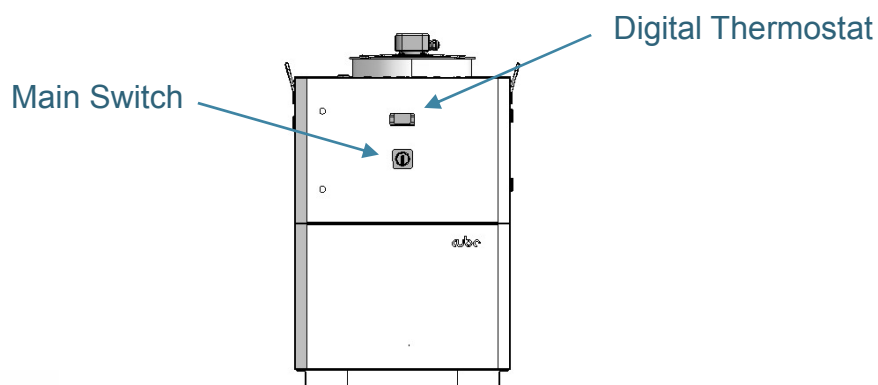
**CONDENSING AIR:** Cooling air has sucked on the left side and can flow-out on top. An air aluminum filter is able to maintain clean the battery.



**HANDLING:** the chiller can be handle from top by crane through the “Lifting points”, or in front through the “Forklift points”.



**ELECTRICAL BOARD:** Easy access to the electrical board.

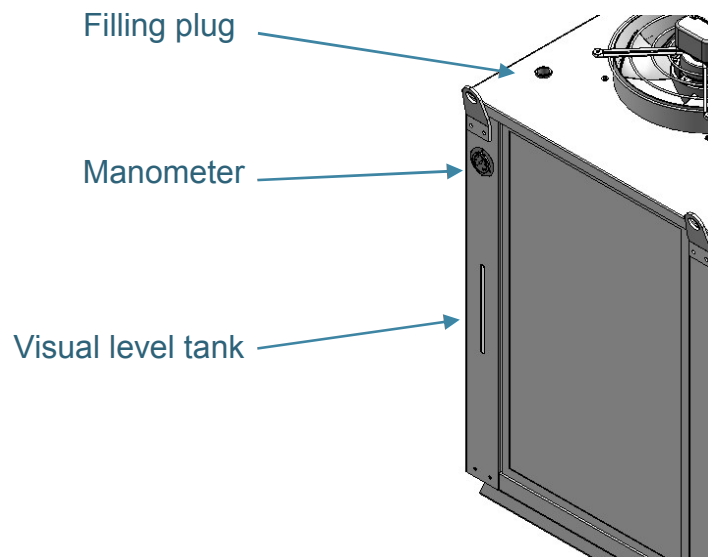


## ADVANCED MULTIFUNCTION CONTROLLER

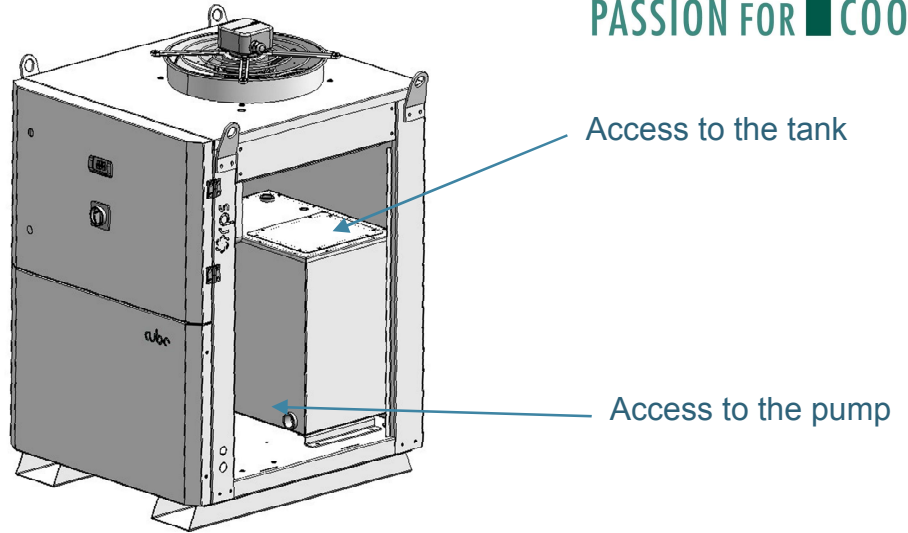


- ✓ Elect. supply: 12, 24Vac/dc
- ✓ 4 probe signal inputs
- ✓ 11 digital inputs
- ✓ 6 relay outputs
- ✓ 2 outputs 4÷20mA/0÷5V
- ✓ 2 analogic outputs 0÷10V
- ✓ LAN: present, RS485 modbus

**HYDRAULIC CIRCUIT:** Easy visualization of the level liquid tank and the pump pressure (if present). Filling cap on top of the unit.



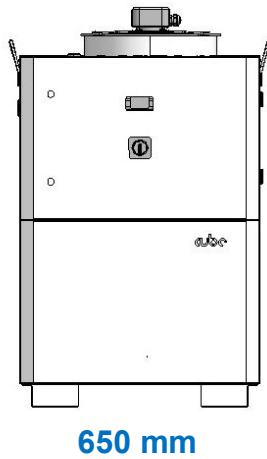
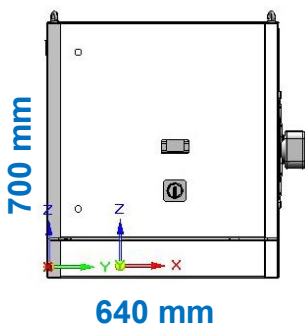
**ACCESS INTO THE UNIT:** Easy access through the later panel on the right side. Easy and fast maintenance to the pump and to the accumulation tank.



**NEW DIMENSIONS:** the new design has been developed with new dimensions, taller and with reduced foot print respect the older model.

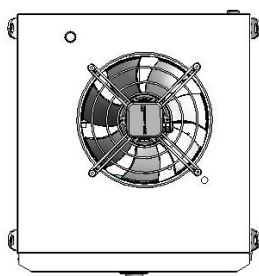
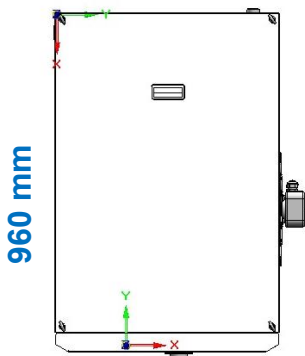
**OLD**

**NEW**



1.100 mm

New "CUBE 2" has got the same width than the previous one but taller. Also the length has been reduced.



730 mm

#### AVAILALABLE VERSIONS:

- Water cooled
- Air cooled with centrifugal fan
- Heat pump
- Energy saving with digital scroll compressor
- Hydraulic circuit with or without pump and tank
- Pump pressure P3, P5, e P7 for water, or higher pressure PO5, PO10 o PO20 for oil
- Different colors
- Different available features
- ....